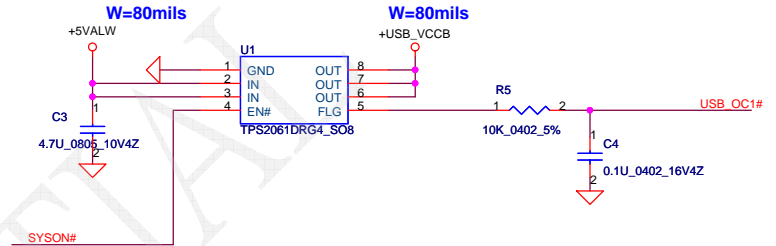
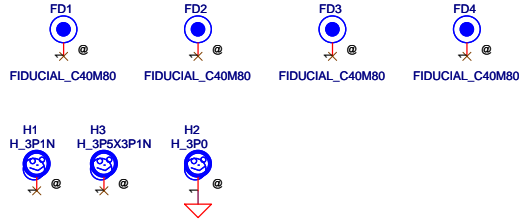
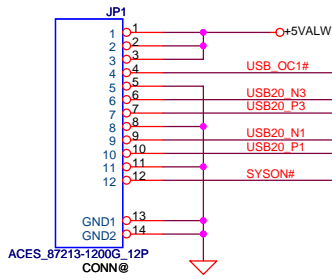


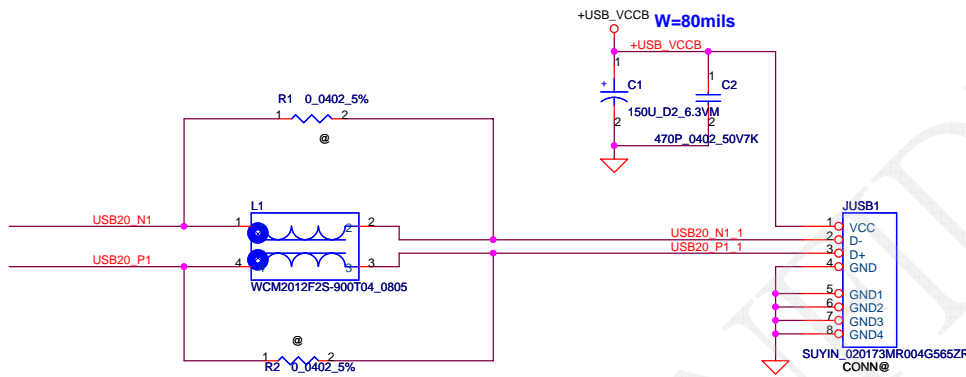
# COMPAL CONFIDENTIAL

MODEL NAME: **KALAO**  
 PCB NAME: **LS-4682P USB/B**  
 COMPAL P/N: **DA40000FB10**  
 REVISION: **1.0**  
 DATE: **2008/12/4**

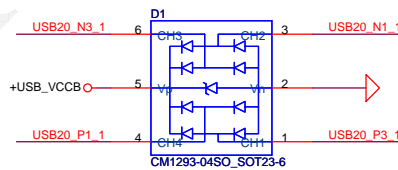
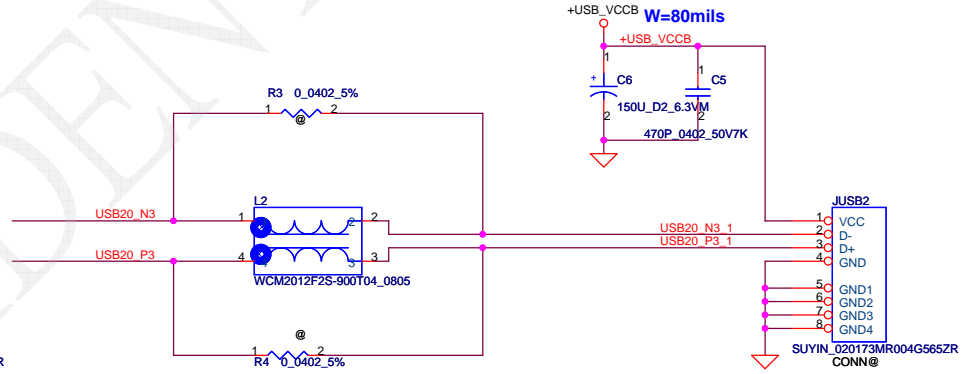
To USB/B Connector(wire)



## USB CONN1.



## USB CONN2.



Security Classification		Compal Secret Data		Compal Electronics, Inc.	
Issued Date	2008/12/4	Deciphered Date	2008/12/4	Title	
THIS SHEET OF ENGINEERING DRAWING IS THE PROPRIETARY PROPERTY OF COMPAL ELECTRONICS, INC. AND CONTAINS CONFIDENTIAL AND TRADE SECRET INFORMATION. THIS SHEET MAY NOT BE TRANSFERRED FROM THE CUSTODY OF THE COMPETENT DIVISION OF R&D DEPARTMENT EXCEPT AS AUTHORIZED BY COMPAL ELECTRONICS, INC. NEITHER THIS SHEET NOR THE INFORMATION IT CONTAINS MAY BE USED BY OR DISCLOSED TO ANY THIRD PARTY WITHOUT PRIOR WRITTEN CONSENT OF COMPAL ELECTRONICS, INC.				SCHEMATIC USB/B S4682	
Size	Document Number	Rev		B	
Custom	4059VB				
Date:	Monday, December 08, 2008	Sheet	1	of	1